

TRI-TONE ELECTRONIC HORNS



- Ideal for High Noise Areas
- Heavy Duty Construction
- Weatherproof
- UL Listed

TRI-TONE ELECTRONIC HORNS

The Tri-Tone Electronic Horn is designed for use as an emergency warning alert, dismissal, or evacuation signal. With a sound output of 110 dB at 10 feet, it is especially suited for high noise level areas such as steel mills, lumber yards, or ship yards. However, it can be used in any application where a distinct tone is required to vary from the existing background noise or to distinguish from general alarms.

The No. 140 requires no special separate stock of tone modules. Therefore, the decision on tone selection is not required at the time of purchase. Three tones are built in for convenience of tone selection at the time of installation, a Yowl, a Warble and a Siren.

The Tri-Tone Horn is of heavy duty cast construction and is easily mounted using four 1/4" bolts. All models are UL Listed and completely weatherproof for outdoor application. The unit is available in Dawn Mist Grey.

FEATURES

- Solid State Circuitry
- High dB Output
- Field Selectable Signals
- Separate Tone Modules not Required
- **Colors:** Dawn Mist Grey
- Weatherproof
- UL Listed

APPLICATIONS

Excellent industrial high decibel signaling device for:

- **Manufacturing Operations** suited for high noise areas, factories, lumber yards, mining operations and shipyards
- **Institutional Signaling** used for timing, scheduling, tone paging, general alarm and evacuation signals
- **Material Handling** audible alert with various tone selection for conveyor systems, machinery and equipment operation notification

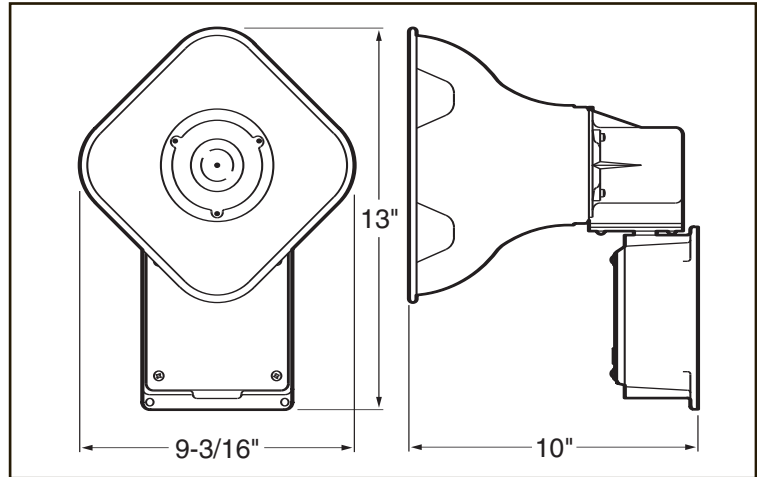
See other side for ordering information and specifications



The W.L. Jenkins Company
1445 Whipple Ave., S.W. • Canton, Ohio 44710-1321
330-477-3407 • Fax: 330-477-8404
www.wljenkinsco.com

TRI-TONE ELECTRONIC HORNS

Ordering Information and Specifications



AC Model F-140

DC Model F-141

TECHNICAL SPECIFICATIONS

| Part # | Voltage | Operating Current | dB Output @10' | Shipping Weight |
|--------|---------|-------------------|----------------|-----------------|
| F-140 | 24 VAC | 1.3 A | 110 | 6 lbs. |
| | 120 VAC | 0.24 A | 110 | 6 lbs. |
| F-141 | 24 VDC | 0.5 A | 110 | 6 lbs. |



The W.L. Jenkins Company
1445 Whipple Ave., S.W. • Canton, Ohio 44710-1321
330-477-3407 • Fax: 330-477-8404
www.wljenkinsco.com