

MID RANGE VIBRATING HORNS

Three models available



MID RANGE VIBRATING HORN

Low cost, compact, high performance vibrating horn. Ideally suited for applications requiring audible alarm or warning device where cost, size and simple installation is required. AC & DC models.

FEATURES

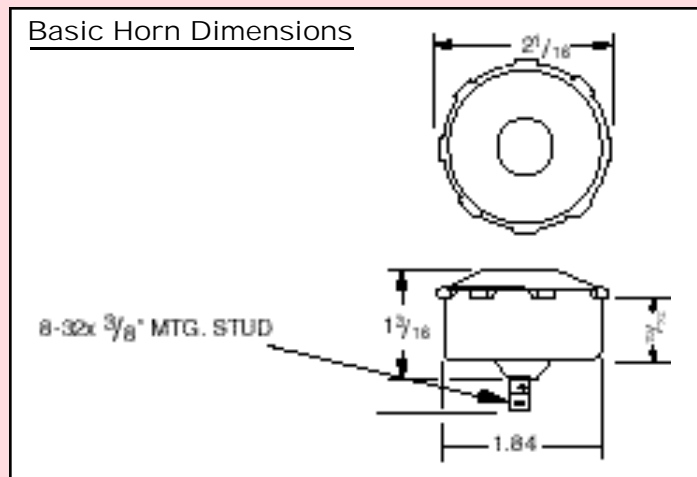
- Small size
- High dB volume for size of horn
- Wide voltage selection
- Low current
- Panel, flush, and surface mounting options

APPLICATIONS

The vibrating horns are ideal for:

- **Industrial Process Supervision**
pressure and temperature supervision, power interruption, process heating failure and fluid level control
- **Residential**
excellent for door entry systems and warning of potential intruders

See other side for ordering information and specifications



The W.L. Jenkins Company
1445 Whipple Ave., S.W. • Canton, Ohio 44710-1321
330-477-3407 • Fax: 330-477-8404
www.wljenkinsco.com

MID RANGE VIBRATING HORNS

Ordering Information and Specifications



Panel Mount for O.E.M. applications on control panels and equipment



Flush Mount for recessed 4" square 2 gang box

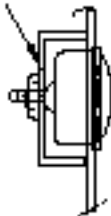


Square Mount on a 4" square or 4" 2 gang box

Model #	Description	Voltage	Amps	DC Coil	C B 10ft.
MH-6DC	Panel Mount	6 DC	100 MA	7	87
MH-12DC	Panel Mount	12 DC	70 MA	30	87
MH-24DC	Panel Mount	24 DC	300 MA	82	87
MH-12AC	Panel Mount	12 AC	150 MA	30	87
MH-24AC	Panel Mount	24 AC	300 MA	82	87
MH-115AC	Panel Mount	115 AC	50 MA	1440	87
MHP1-6DC	Flush Mount 4" Sq. Box	6 DC	100 MA	7	87
MHP1-12DC	Flush Mount 4" Sq. Box	12 DC	70 MA	30	87
MHP1-24DC	Flush Mount 4" Sq. Box	24 DC	300 MA	82	87
MHP1-12AC	Flush Mount 4" Sq. Box	12 AC	150 MA	30	87
MHP1-24AC	Flush Mount 4" Sq. Box	24 AC	300 MA	82	87
MHP1-115AC	Flush Mount 4" Sq. Box	115 AC	50 MA	1440	87
MHP2-6DC	Surface Mount 4" Sq. Box	6 DC	100 MA	7	87
MHP2-12DC	Surface Mount 4" Sq. Box	12 DC	70 MA	30	87
MHP2-24DC	Surface Mount 4" Sq. Box	24 DC	300 MA	82	87
MHP2-12AC	Surface Mount 4" Sq. Box	12 AC	150 MA	30	87
MHP2-24AC	Surface Mount 4" Sq. Box	24 AC	300 MA	82	87
MHP2-115AC	Surface Mount 4" Sq. Box	115 AC	50 MA	1440	87
BB-S	4" Sq. Box				

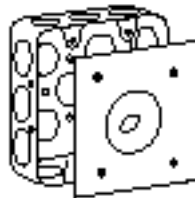
TYPICAL MOUNTINGS

U Bracket Furnished



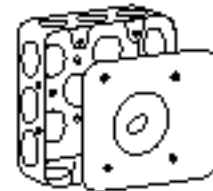
PANEL MOUNT

- Drill 1 7/8" hole in panel
- Fasten U bracket over 8-32 stud and tighten U bracket against backside of panel with 8-32 nut.



FLUSH MOUNT

- Horn is assembled to a 4 9/16" square cover plate for flush mounting over a 4" square 2 gang box



SURFACE MOUNT

- Horn is assembled to a 4 3/16" square cover plate for mounting over a 4" square 2 gang box or a 4" square box that is surface mounted



The W.L. Jenkins Company
 1445 Whipple Ave., S.W. • Canton, Ohio 44710-1321
 330-477-3407 • Fax: 330-477-8404
www.wljenkinsco.com