

EXPLOSION PROOF LIGHTS WSHX AND WFX



WSHX



WFX

EXPLOSION PROOF LIGHTS – WSHX

Explosion-Proof Strobe Warning Lights Powerful Industrial Strobe Lighting for High Ambient Noise Levels.

The WSHX explosion-proof light provides 360 degrees of powerful strobe protection for industrial applications where ambient noise levels make audible signaling difficult. Available in 12 and 24 VDC, and 120 VAC models, WSHX has a rugged, cast aluminum housing, strobe light assembly and high intensity Xenon strobe flash tube. A 3/4" pendant mounting is standard, and a wire housing simplifies installation. All five lens safety colors are available.

WSHX is UL Listed for Class 1, Divisions I & II, Groups C & D and Class 2, Group E, F & G environments.

FEATURES

- Explosion-proof strobe light that meets OSHA regulations
- Attention-getting 60 strobe flashes per minute minimum
- Self-contained strobe power supply
- High intensity Xenon strobe flash tube
- Rugged cast aluminum corrosion-proof housing, 3/4" pendant mount standard
- Wire access plate for easy installation
- All five safety lens colors available
- UL Listed

MODELS

- Model WSHX012 – 12 VDC, average current: 1.7 amps
- Model WSHX024 – 24 VDC, average current: .85 amps
- Model WSHX120 – 120 VAC, average current: .25 amps

EXPLOSION PROOF LIGHTS – WFX

Explosion-Proof Fluorescent Light Fluorescent Illumination for hazardous locations.

The WFX offers more effective and uniform lighting than explosion proof incandescent fixtures.

The benefits of low current consumption and long service life help make the WFX a cost effective solution for your in-plant lighting needs.

The WFX is UL Listed for Class 1, Divisions I & II, Groups C & D and Class 2, Groups E, F & G environments.

FEATURES

- Two, long-life 23 watt fluorescent lamps equal the output of one 175 watt incandescent lamp
- More even illumination, without "hot spots."
- Longer service life than incandescent lamps, reducing expense of area shut-downs and labor/costs attributed to lamp replacement
- Low current consumption .75 amp, 120 VAC
- Fluorescent lamps locally available
- Rugged cast aluminum, corrosion proof housing
- 3/4" pendant mount standard
- Wiring access plate for ease of installation
- Tempered glass dome available in clear
- UL Listed

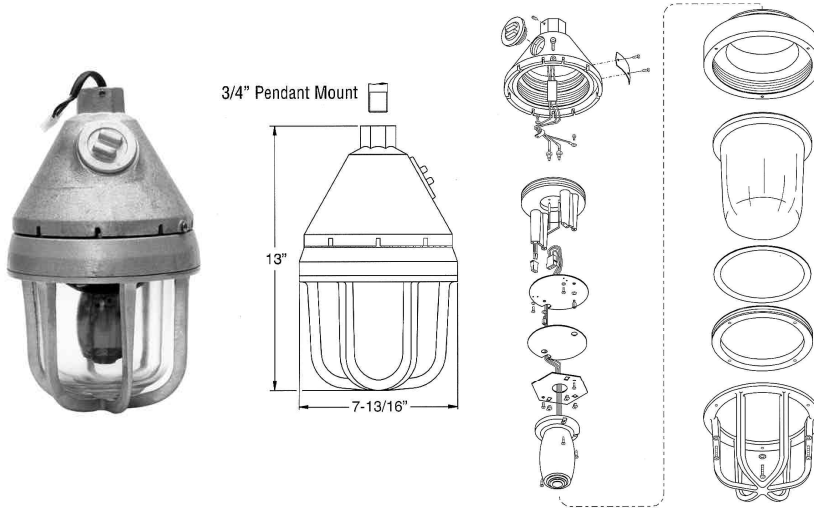


The W.L. Jenkins Company
1445 Whipple Ave., S.W. • Canton, Ohio 44710-1321
330-477-3407 • Fax: 330-477-8404
www.wljenkinsco.com

EXPLOSION PROOF LIGHTS WSHX AND WFX

Ordering Information and Specifications

WSHX



REPLACEMENT PART NUMBERS		
WSHX012	Power Supply	01-0267125-00
WSHX024	Flashtube	01-0422071-00
WSHX120	Power Supply	01-0267128-00
	Flashtube	01-0422071-00

How to Order

Model WSHX

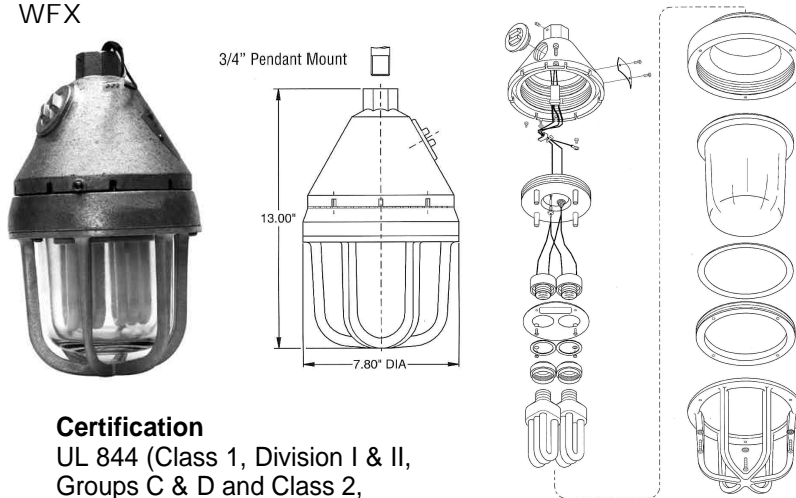
Code	Voltage
012	12 VDC
024	24 VDC
120	120 VAC

Code	Color
A	Amber
B	Blue
C	Clear
G	Green
R	Red

Model #	Voltage	Current AMPS	FPM	Candela [^]	Weight
WSHX012*	12 VDC	1.7	60	2000	14lbs. (6.4kg.)
WSHX024*	24 VDC	0.85	60	2360	14lbs. (6.4kg.)
WSHX120*	120 VAC	0.25	60	3750	14lbs. (6.4kg.)

*Select Color: **A**=Amber, **B**=Blue, **C**=Clear, **G**=Green, **R**=Red
Measured with Clear Lens

WFX



REPLACEMENT PARTS	
Part Number	Description
43-0016478-00	Lamp, 23 watt flourescent

How to Order

Model WFX, 120 VAC.
(Furnished with Clear Dome Only.)

Certification

UL 844 (Class 1, Division I & II,
Groups C & D and Class 2,
Groups E, F, & G)

Model #	Voltage	Current AMPS	Weight
WFX	120 VAC	.75 amp	14.3lbs (6.5kg)



The W.L. Jenkins Company
1445 Whipple Ave., S.W. • Canton, Ohio 44710-1321
330-477-3407 • Fax: 330-477-8404
www.wljenkinsco.com