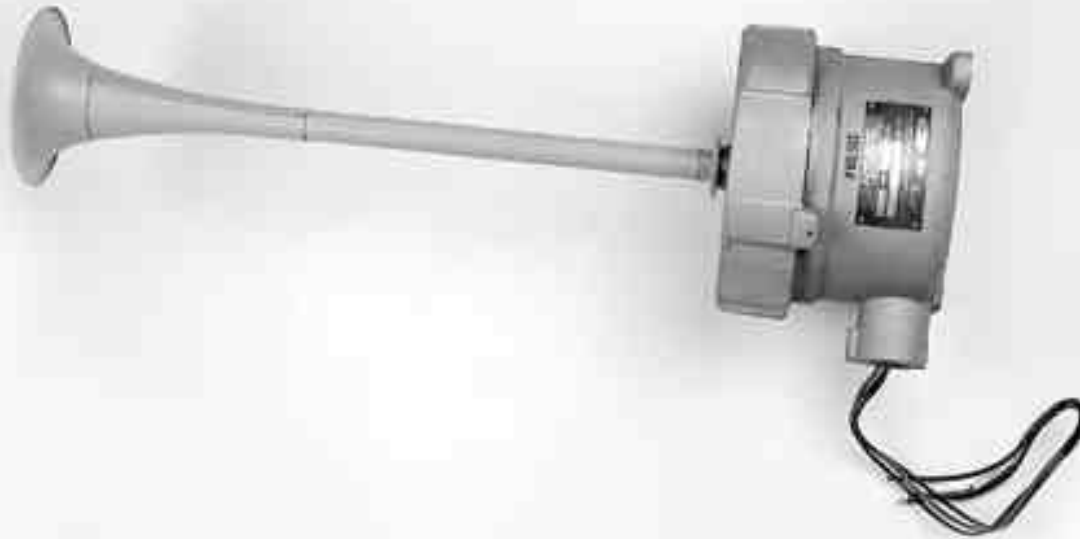


EXPLOSION PROOF KODAIRE HORN



EXPLOSION PROOF KODAIRE HORN

The explosion proof Kodaire horns are heavy duty signals for use in hazardous environment applications when a louder, more penetrating signal is required. The Kodaire horns provide a distinctive tone and pitch. Models are available for both AC and DC applications and feature high dB output. All units are UL Listed for use in Class I, Groups C & D and Class II, Groups E, F & G. Standard color for the face plate and projector is Dawn Mist Grey.

FEATURES

- AC or DC Operation
- High dB Output
- UL Listed

APPLICATIONS

Whenever a more penetrating loud signal or a loud coded signal is required:

- **Manufacturing Facilities** chemical plants, mining operations, graineries and refineries
- **Washdown Areas** meat processing areas, dairy plants and poultry operations
- **Clean Room Environment** CD manufacturers, research and development facilities, and hospital testing facilities

See other side for ordering information and specifications



The W.L. Jenkins Company
1445 Whipple Ave., S.W. • Canton, Ohio 44710-1321
330-477-3407 • Fax: 330-477-8404
www.wljenkinsco.com

EXPLOSION PROOF KODAIRE HORN

Ordering Information and Specifications



AC Model # F-4138

DC* Model # F-4139

Part #	Voltage	Current	Volts Amps	dB Output @ 10'
F-4138	24 VAC	3.5 A	84	110
	120 VAC	1.6 A	192	110
F-4139	24 VDC	5.0 A	75	110

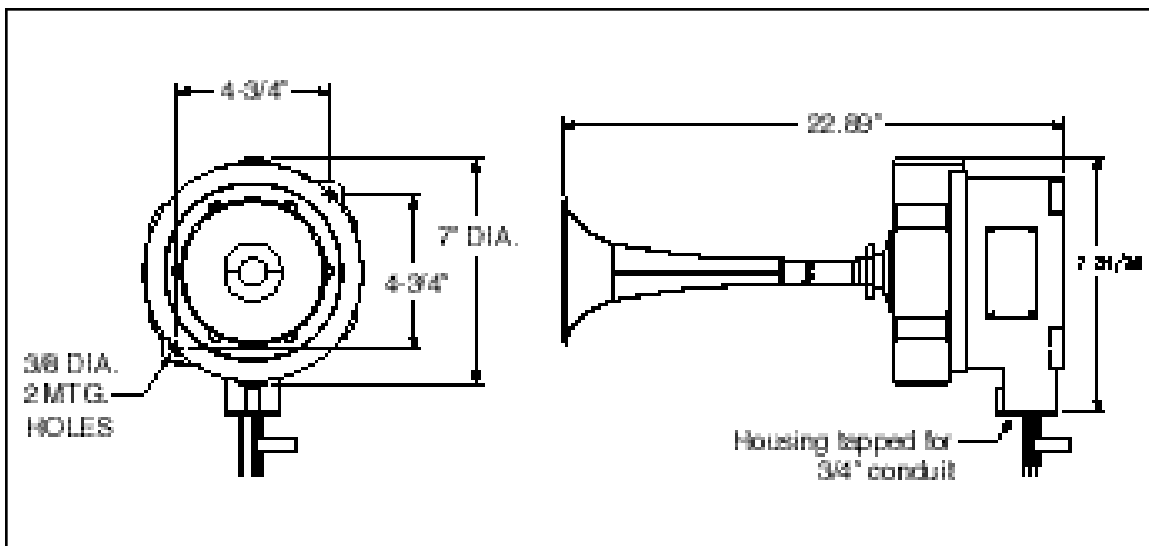
INSTALLATION

1. Do not disassemble horn. Install with power off.
2. Bolt or screw horn securely to solid surface through $\frac{3}{8}$ " diameter holes at rear.
3. Provide 12" maximum length $\frac{3}{4}$ " rigid conduit nipple between horn and an electrical junction box rated for the class of service and application. Adalet Model XJA UL Listed Junction Box is recommended for all rated horn applications. This may be ordered as Part No. 543285.

4. Connect green wire to ground and black wires to supply circuit per name plate rating.

Note: This device is adjusted and properly assembled at the factory. NO DISASSEMBLY IS REQUIRED FOR INSTALLATION.

5. Be sure installation is complete with all electrical connections and conduits secure with junction box covers in place before applying power.
6. Power must be shut off before and during any service operation when being performed.



DUTY CYCLE OF KODAIRE HORN IS ONE SECOND ON, TWO SECONDS OFF. OVER FIVE SECONDS OF CONTINUOUS OPERATION MAY DAMAGE HORN.



The W.L. Jenkins Company
 1445 Whipple Ave., S.W. • Canton, Ohio 44710-1321
 330-477-3407 • Fax: 330-477-8404
www.wljenkinsco.com