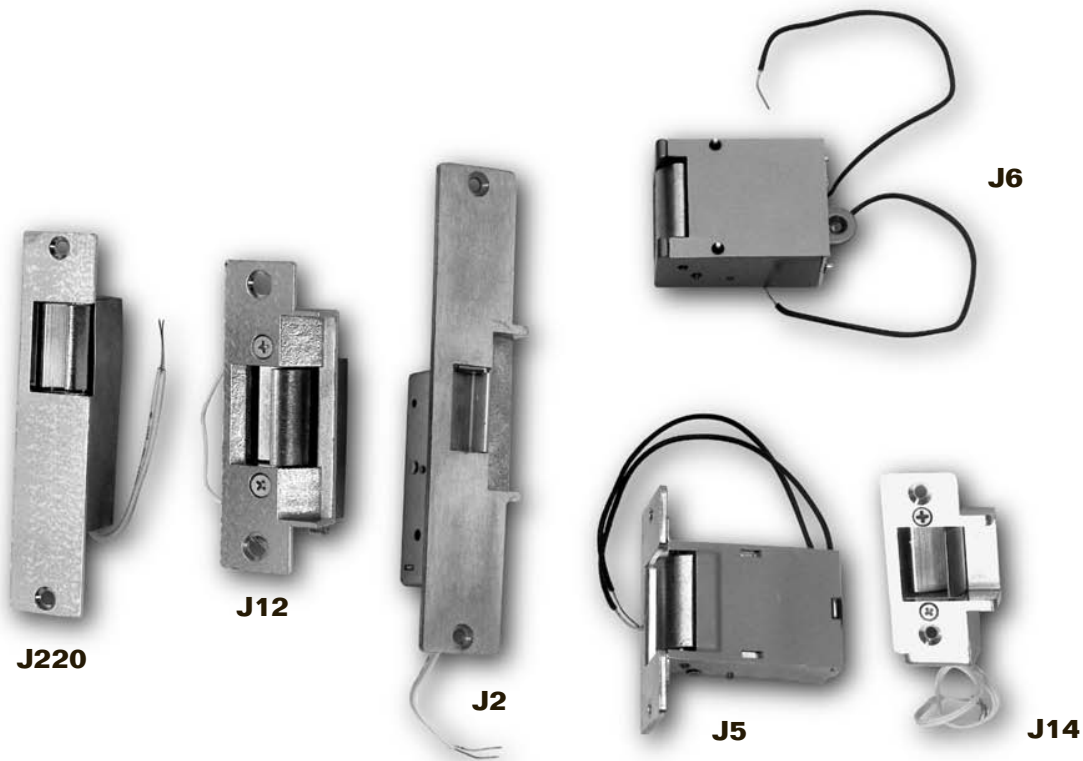


ELECTRIC DOOR STRIKES



DOOR STRIKES

With the increased awareness for additional security provisions for commercial and industrial institutions the use of electric door strikes has become a necessary security measure.

The W.L. Jenkins Company line of low voltage electric door strikes for locking and unlocking doors from a remote location provides this additional security measure.

Electric magnetic door strikes can either be normally locked and released electrically, remotely by a switch, contact device or the operation can be reversed where the door is normally unlocked and then locked electrically by the remote switch or contact device.

FEATURES

There are basically two types of electric door strikes:

- **Mortise Types:** The mortise unit is used with mortise entrance locks having a latch bolt. The lock replaces the regular door strike plate. Most mortise types are reversible for right or left hand doors.
- **Rim Types:** The rim type unit is surface-mounted and installed on the face of the door and used in conjunction with a latch bolt. Most rim types are reversible for right and left hand doors.

APPLICATIONS

Door strikes are used in commercial and industrial environments in a wide variety of applications such as offices, apartments, financial institutions, schools, laboratories, precious metal manufacturers, card entry systems, food markets and other security controlled areas.

See other side for ordering information and specifications

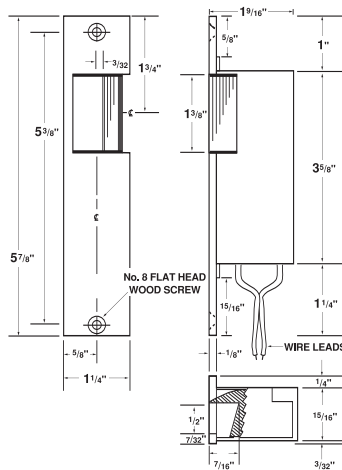


The W.L. Jenkins Company
1445 Whipple Ave., S.W. • Canton, Ohio 44710-1321
330-477-3407 • Fax: 330-477-8404
www.wljenkinsco.com

ELECTRIC DOOR STRIKES

Ordering Information and Specifications

Figure A



MORTISE TYPES

Model J220 (Figure A)

- For lock sets and latches up to 1/2" width and throw
- 1 9/16" depth
- 8–16 volts AC, 3–6 volts DC
- Normally locked
- Reversible for right and left hand door
- 6" wire leads

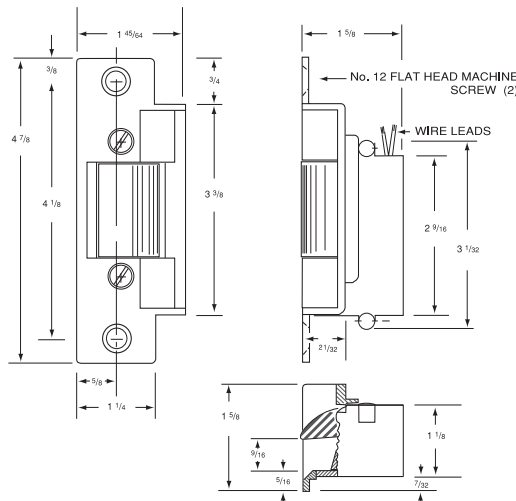
Model J220S

- Same as J220 except for heavy duty lock set latches up to 3/4" width and throw

Model J220RS

- Same as J220 except reverse action
- 24 volts AC/DC only

Figure B



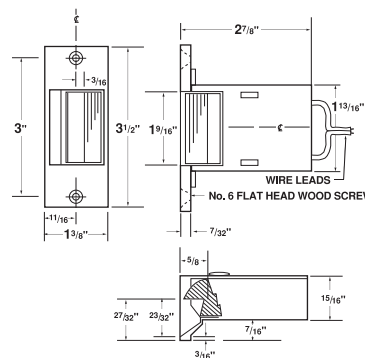
Model J12 (Figure B)

- Mortise type for ANSI standard strike cutout. Heavy duty
- For locks with dead lock latch bolt up to 9/16" throw
- 10–16 volts AC
- 24 volts AC
- 24 volts AC/DC
- Brass finish standard – chrome available
- 6" wire leads

Model J12R5

- Same as J12 except reverse action
- 24 volts AC/DC only

Figure C



Model J5 (Figure C)

Mortise type for schlage type (bored cylindrical) lock sets. Used with lock latches up to 5/8" throw.

- 16 volts AC, 3–6 volts DC
- Reversible for right or left hand door
- Normally locked
- 6" wire leads
- Brass finish standard – chrome available

Model J5RS

- Same as J5 except reverse action
- 24 volts AC/DC only



The W.L. Jenkins Company
 1445 Whipple Ave., S.W. • Canton, Ohio 44710-1321
 330-477-3407 • Fax: 330-477-8404
www.wljensco.com

ELECTRIC DOOR STRIKES

Ordering Information and Specifications

MORTISE TYPES (cont.)

Model J2 (Figure D)

Used with mortise entrance lock having a dead locking latch bolt. Ideal for narrow metal door strikes.

- Flat face
- Shallow $1\frac{9}{16}$ " maximum depth
- Reversible for right or left hand door
- 8–16 volts AC, 3–6 volts DC
- 6" wire leads

Model J2R

- Same as J2 except round face

Model J2RS

- Same as J2 except reverse action

Model J2RRS

- Same as J2 except round face, reverse action
- 24 volts AC/DC

Model J14 (Figure E)

Electric mini-strike for key and knob latch sets. Meets cut-out specifications ANSI A115.3

For use on metal door jambs. Tucks in metal jambs $1\frac{1}{2}$ " and over. Only side jamb modification required.

- Normally locked
- Light duty
- Satin brass

Model J14C

- Same as J14 except satin chrome finish

RIM TYPE (Figure F)

Rim type door strikes are low voltage surface mounted types used for locking or unlocking metal or wood doors with up to $\frac{5}{8}$ " width and throw.

Model J6

- 8–16 volts AC, 3–8 volts DC
- Normally locked
- Reversible for right and left hand doors
- 6" wire leads

Model J6RS

- Same as J6 except reverse action
- 24 volt AC/DC only

Figure D

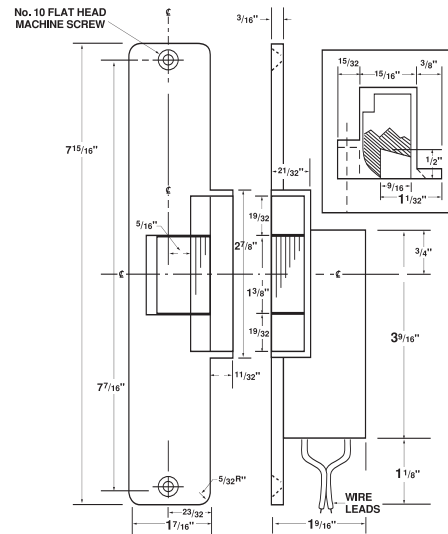


Figure E

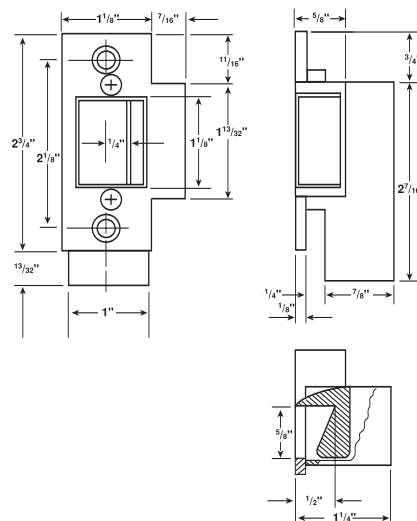
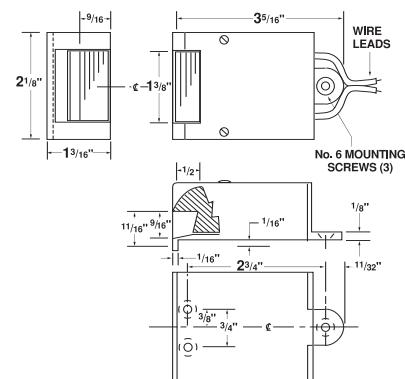


Figure F



The W.L. Jenkins Company
1445 Whipple Ave., S.W. • Canton, Ohio 44710-1321
330-477-3407 • Fax: 330-477-8404
www.wljenkinsco.com

ELECTRIC DOOR STRIKES

Ordering Information and Specifications

DOOR OPENER SPECIFICATIONS AND ORDERING INFORMATION

Model #	Type	Voltage	Amps	Finish	Transformer	Figure	Weight
J220	Mortise	8-16 AC 3-6 DC	.95-1.75 1.25-1.80	Brass & Chrome	J-592	A	#1.0
J220S	Mortise	8-16 AC 3-6 DC	.95-1.75 1.25-1.80	Brass & Chrome	J-592	A	
J220RS	Mortise Reverse	24 AC/DC	.35	Brass & Chrome	J-592	A	
J12	Mortise	10-16 AC 24 AC 24 AC/DC	.6 .21 .21	Brass & Chrome	J-592 J-592	B	#1.0
J12RS	Mortise Reverse	24 AC/DC	.35	Brass & Chrome	J-592	B	
J5	Mortise	16 AC 3-6 DC	.95-1.75 1.25-1.80	Brass & Chrome	J-592	C	#3/4
J5RS	Mortise Reverse	24 AC/DC	.35	Brass & Chrome	J-592	C	
J2	Mortise	8-16 AC 3-6 DC	.95-1.75 1.25-1.80	Brass & Chrome	J-592	D	#1.0
J2R	Mortise Round Face	8-16 AC 3-6 DC	.95-1.75 1.25-1.80	Brass & Chrome	J-592	D	
J2RS	Mortise Reverse	8-16 AC 3-6 DC	.95-1.75 1.25-1.80	Brass & Chrome	J-592	D	
J2RRS	Mortise Round Face Reverse	24 AC/DC	.35	Brass & Chrome	J-592	D	
J14	Mortise	16 AC	1.0	Brass	J-592	E	#1.0
J14C	Mortise	16 AC	1.0	Chrome	J-592	E	
J6	Rim	8-16 AC 3-6 DC	.95-1.75 1.25-1.80		J-592	F	#3/4
J6RS	Rim Reverse	24 AC/DC	.35		J-592	F	

The W.L. Jenkins Company
1445 Whipple Ave., S.W. • Canton, Ohio 44710-1321
330-477-3407 • Fax: 330-477-8404
www.wljensco.com