

24 VDC POWER SUPPLIES



POWER SUPPLIES 24 VDC

Wiring cost is less – no conduit is required – and installation is fast and simple when these 24 VDC power supplies are used with The W.L. Jenkins company 24 VDC industrial signals. Both models shown have easy-to-use screw terminals which accept readily available wire from AWG #24 to AWG #16.

FEATURES

RPS-2406-I

- Regulated and filtered 24 VDC up to 600 mA
- Convenient wall mounting with 6 ft. power cord
- Current limiting, short circuit, and overload protected – with auto shutdown and reset
- Powers several signaling devices, depending on requirements of each unit
- UL Listed and CSA Certified

EPS-2401-I

- Filtered 24 VDC up to 100 mA
- Convenient plug-in mounting to AC receptacle
- Powers a wide variety of 24 VDC signals through system control relay or switch
- UL Listed

APPLICATIONS

DC power for alarm systems:

- **Bells** single stroke, vibrating, pulsating
- **Horns** motor driven, explosion proof
- **Strobes** AC/DC units associated with fire alarm systems
- **Appliances** buzzers, door bells

See other side for ordering information and specifications



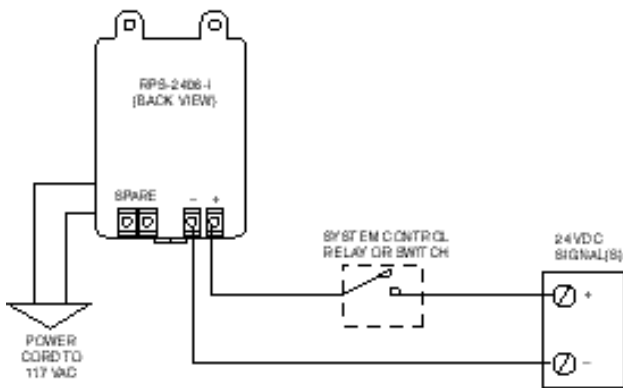
The W.L. Jenkins Company
1445 Whipple Ave., S.W. • Canton, Ohio 44710-1321
330-477-3407 • Fax: 330-477-8404
www.wljenkinsco.com

24 VDC POWER SUPPLIES

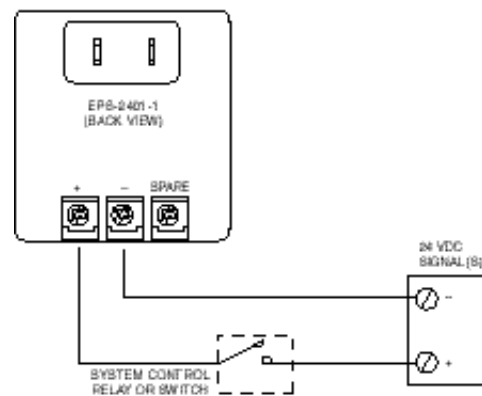
Ordering Information and Specifications



TYPICAL WIRING
RPS-2406-I

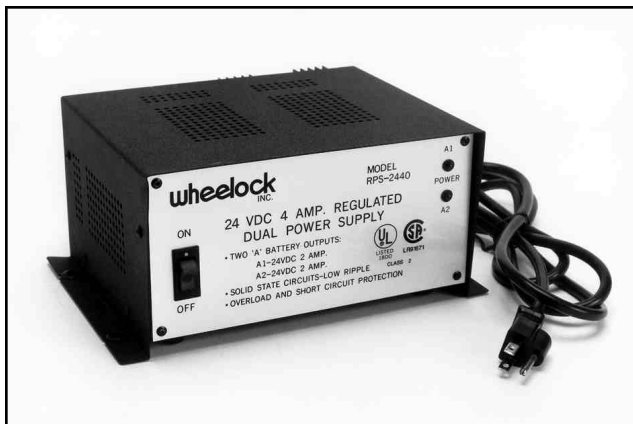


TYPICAL WIRING
EPS-2401-I



Model #	Input Voltage	Outdoor Voltage	Output Current
EPS-2401-I	115 VDC	24 VDC	100 mA
RPS-2406-I	115 VDC	24 VDC	600 mA

RPS-2440



For applications requiring a larger power supply – with output up to 4 amps at 24 VDC – ask us about the new RPS-2440 Dual Power Supply.



The W.L. Jenkins Company
 1445 Whipple Ave., S.W. • Canton, Ohio 44710-1321
 330-477-3407 • Fax: 330-477-8404
www.wljenkinsco.com